

WIRE ROPE FESTOON SYSTEM

WIRE ROPE FESTOON SYSTEM

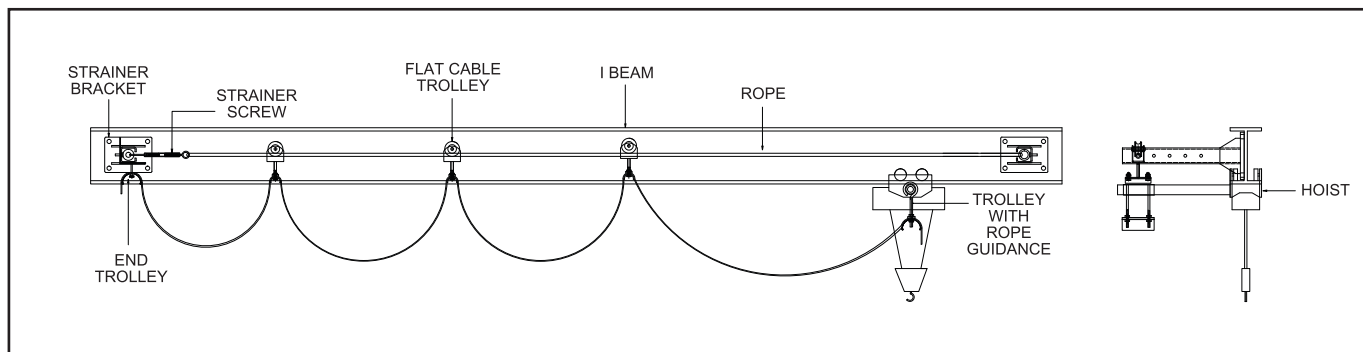
Silverline is engaged in manufacturing and supplying Stretched Wire Rope Festoon System that is extremely appreciated for excellent performance, vast usages, low maintenance, long service life and light weighted features. It is extensively used on EOT cranes and other light duty handling applications.

Features Of Stretched Wire Rope Festoon System:

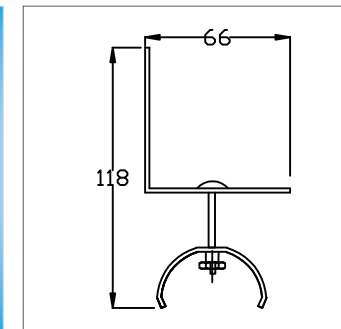
- Easy & quick installation
- Light weight
- Less friction
- Smooth motion
- Less weight of trolley
- Cable life enhances as necessary twist turns are avoided.
- Most economical solution of festooning.

Applications of Stretched wire rope festoon system:

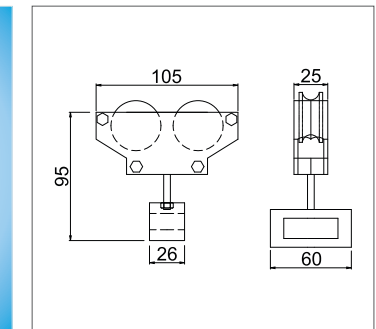
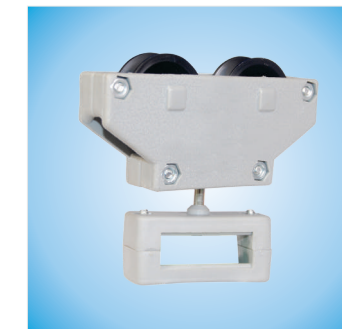
- Refuse cranes
- Port cranes
- Electrification of moving machineries
- Overhead cranes
- Other material handling applications



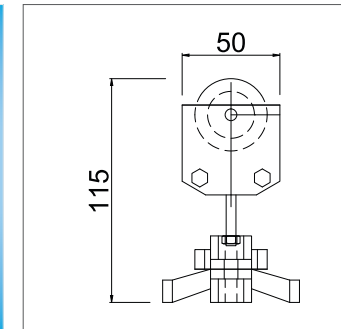
END TROLLEY



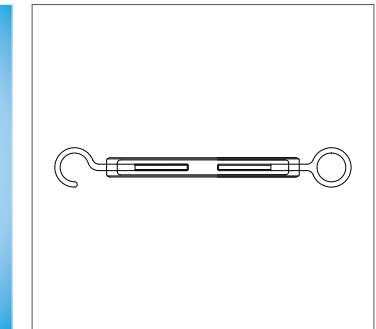
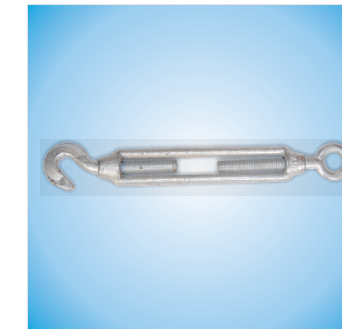
TOWING TROLLEY



SINGLE WIRE ROPE TROLLEY



STRAINER SCREW



STRAINER BRACKET

