

PIN TYPE DSL SYSTEM

Conductor rails provide a safe and economical supply of electric power for track guided Mobile Machinery. Single Pole individually insulated conductors. Ideally used for EOT Cranes & Hoists Available in 80-315 amps ratings.

The special quality of our pin type dsl system is that it can withstand extreme pressure providing High performance.

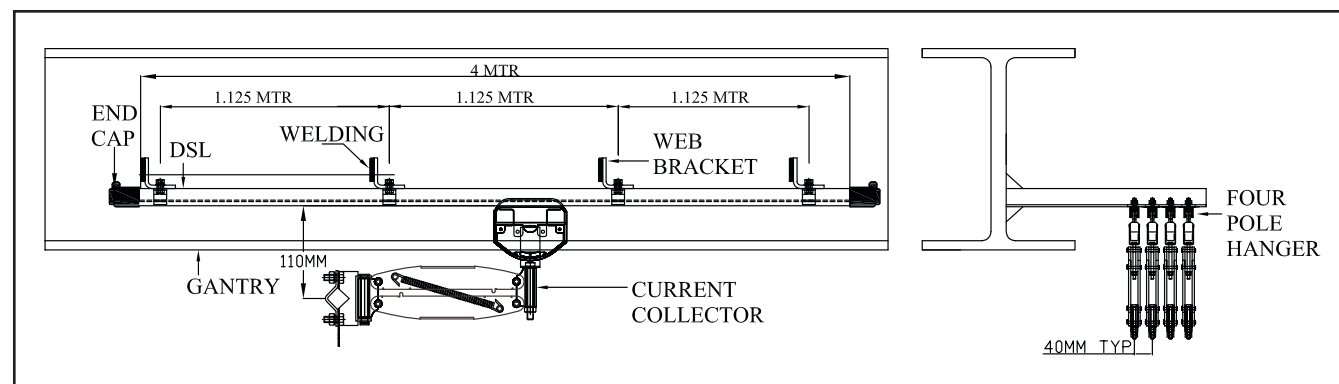
Features:

- Single Pole individual Conductors.
- Quick & easy Installation.
- Pin Joint for Proper Alignment.
- Finger safe / Touch Proof.

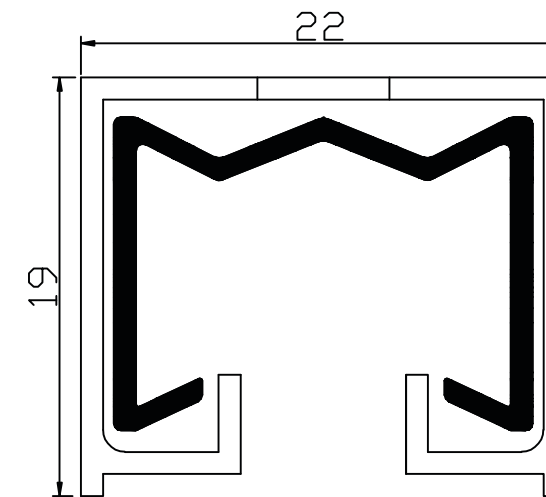
Available Range:

- Single Pole / Four Pole Hangers.
- 80, 100, 125 Amps. Galvanized Iron conductors.
- 160, 250, 315 Amps. Copper conductors.
- Bar Length 4.0 Meter
- Expansion joint can be provided on request.

GENERAL ARRANGEMENT OF PIN TYPE DSL SYSTEM



PIN TYPE DSL SYSTEM



| Galvanized | Copper |
|------------|---------|
| 80 amp | 160 amp |
| 100 amp | 250 amp |
| 125 amp | 315 amp |



TECHNICAL DATA FOR - PIN TYPE JOINT

| Conductor Bar System | Galvanized Steel | | | Copper | | |
|----------------------------------------------|--------------------------------------|----------|----------|----------|-----------|-----------|
| | CRD19A08 | CRD19B10 | CRD19C12 | CRDACU08 | CRD19CG10 | CRD19CG12 |
| Type | | | | | | |
| "Nominal Current (A) At 100% Duty and 35° C" | 80 | 100 | 125 | 160 | 250 | 315 |
| DC resistance (O/M) At + 35° C | 0.003584 | 0.002867 | 0.001933 | 0.000342 | 0.000274 | 0.000209 |
| Impedance (O/M) At + 35° C | 0.003804 | 0.002891 | 0.001968 | 0.000364 | 0.000300 | 0.000224 |
| Voltage Grade [V] | 600 | | | | | |
| Support Spacing [mm] | 1125 | | | | | |
| Bar Length [mm] | 4000 | | | | | |
| Outside Dimensions [mm] | 19 x 22 | | | | | |
| Permissible Ambient Temperature | -30° C + 55° C (Standard Insulation) | | | | | |