

JOINTLESS DSL

Jointless Dsl System:

This is newly developed DSL System by SILVERLINE. This is a single pole system. Copper strips of high conductivity are used as conductors for high performance. We recommend this for medium size factories installing smaller capacity cranes requiring not more than 140amps. This system is very easy to install and being joint less has less failure rate. Wear and tare is also less which improves life of current collectors' at least by 50%. Smooth running of the DSL ensures best performance of control panels with VVF drives.

Features:

- Quick and easy installation.
- Tape form copper conductor.
- Minimum voltage drop due to continuous copper conductor.
- No expansion problems.
- Touch proof design.

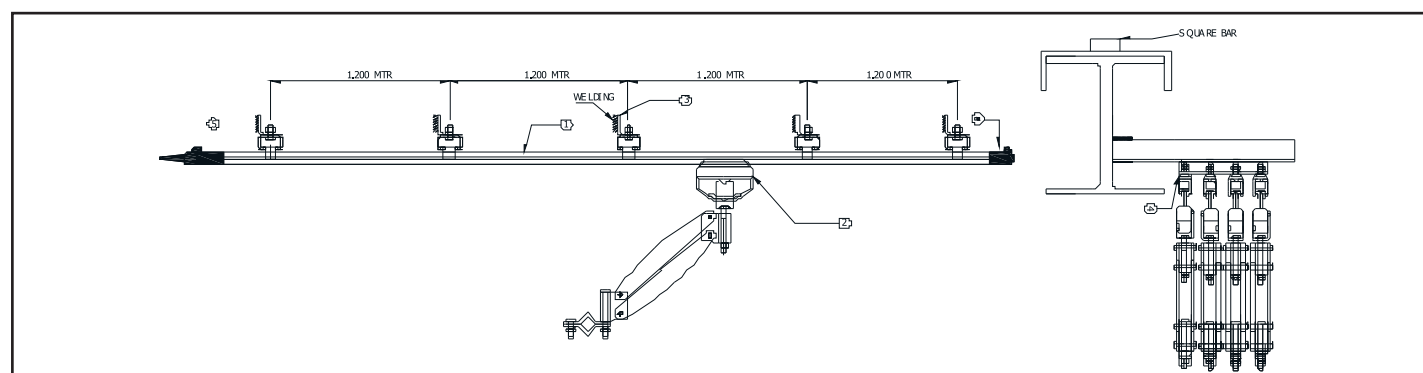
Application of Jointless DSL System :

- JIB Cranes
- EOT Cranes
- Other material handling equipments .

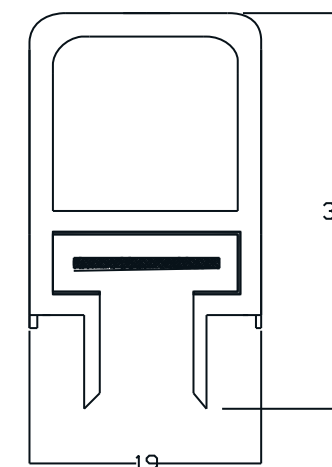
Jointless DSL Available in :

- Copper : 40 to 140 amps

GENERAL ARRANGEMENT OF JOINTLESS TYPE DSL SYSTEM



JOINTLESS DSL



Copper
40 amp
60 amp
80 amp
100 amp
140 amp



TECHNICAL DATA FOR JOINTLESS DSL SYSTEM

Conductor Bar System	Copper				
Type	CRD25A4	CRD25B6	CRD25C8	CRD25D10	CRD25E14
"Nominal Current (A)At 100% Duty and 35° C"	40	60	80	100	140
DC resistance (O/M) At + 35° C	0.0019	0.0012	0.0008	0.0005	0.0003
Impedence (O/M) At + 35° C	0.0021	0.0013	0.00009	0.0006	0.0004
Voltage Grade [V]	600				
Support Spacing [mm]	1200				
Bar Length [mm]	4500				
Outside Dimensions [mm]	19 x 34				
Permissible Ambient Temperture	-30OC + 5o C (Standard Insulation)				