



# Silverline

Silverline Metal Engg. Pvt. Ltd.,  
R-649, T.T.C Industrial Area, Rabale, Navi Mumbai 700 701  
Phone No. 022-27601296, 27697189  
Email. [silverlinemetal@gmail.com](mailto:silverlinemetal@gmail.com) [www.silverlineindia.com](http://www.silverlineindia.com)



FUEL SAVER™

## TRAILER MOUNTED LINE PUMPS - 700 SERIES

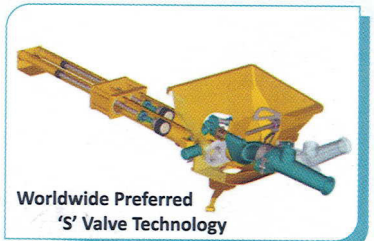


### ► Salient Features:

- New futuristic look with latest design
- Completely redesigned with many operation friendly features
- Substantial noise reduction
- Maximum vertical/horizontal pumping distance in this class
- Most fuel-efficient series
- Very reliable equipment with long routine maintenance intervals
- Safe water-cleaning system
- Compact design and least towing length
- Very effective reverse pumping
- Infinitely variable concrete output, from minimum to maximum
- Centralized greasing points
- Uninterrupted operations even if electrical system malfunctions
- Innovative flap straight design with cleaning socket
- Standardized core pump, reducing spares inventory costs

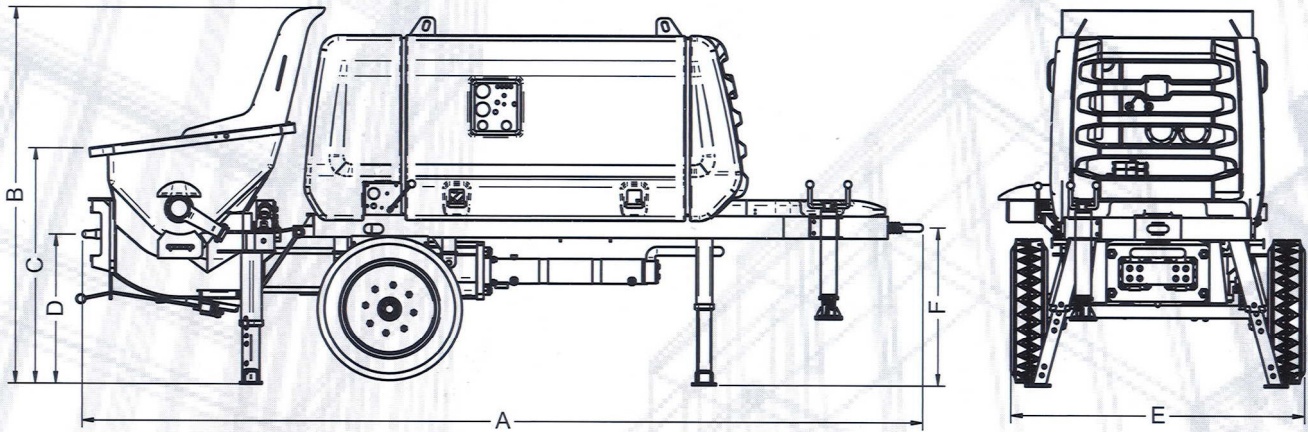
### ► Added Features:

- Higher Capacity jack
- Foot rest for hopper
- Gas springs and locks for canopy
- Shifting cylinder cover for better safety
- Grill provided for engine cover
- Built-in toolbox
- Efficient splash guard design
- Mudguard on tyre
- Engine & Pump hour meters
- Remote control



Worldwide Preferred  
'S' Valve Technology

**Technical Specifications:**



MODEL	A	B	C	D	E	F
703D	4730	2125	1330	845	1650	890

Model Specifications		Unit	703 D	703 E
Prime Mover		kW	34.6	37
Theoretical Output		m <sup>3</sup> /hr	30	23
Del. Cylinder Diameter		mm	200	200
Del. Cylinder Stroke		mm	700	700
No. of Strokes		per min	22.5	17
Hydraulic Transmission		--	1:3.3	1:3.3
Concrete Pressure		bar	76	76
Concrete Hopper Capacity		l	500	500
Delivery Distance**	Horizontal	m	320	320
	Vertical	m	80	80

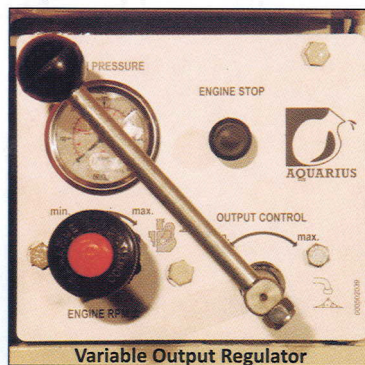
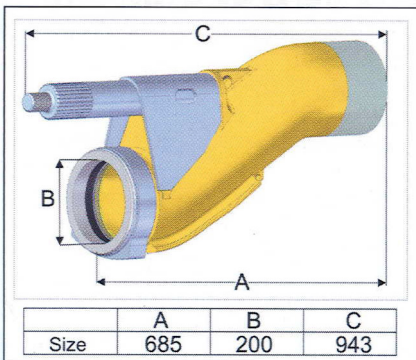


\*\*Distances to be read as either horizontal or vertical. The concrete should be pumpable & follows DIN 1045 standard.

\*The delivery distances may subject to variation & depend on the instantaneous properties of the concrete to be pumped.

\* The delivery distances mentioned above are of INDICATIVE nature only

**Largest & Longest 'S' Valve**

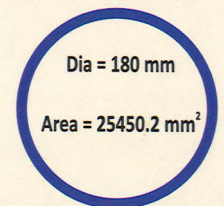


**Cylinder Diameter Comparison**

**AQUARIUS**  
Concrete Pumps



Other  
Concrete Pumps



Aquarius Pump Cylinders have larger area than others by 23.5%

Performance of equipment is based on standard working conditions. Design / Specifications can be changed without prior notice.



**Silverline**

Silverline Metal Engg. Pvt. Ltd.,  
R-649, T.T.C Industrial Area, Rabale, Navi Mumbai 700 701  
Phone No. 022-27601296, 27697189  
Email. [silverlinemetal@gmail.com](mailto:silverlinemetal@gmail.com) [www.silverlineindia.com](http://www.silverlineindia.com)